

INSTALLATION STEPS 10.09

Modern appearance, stable quality, practicability & multiformity



K-2



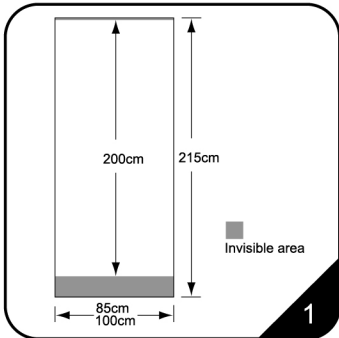
Y-2



K-9



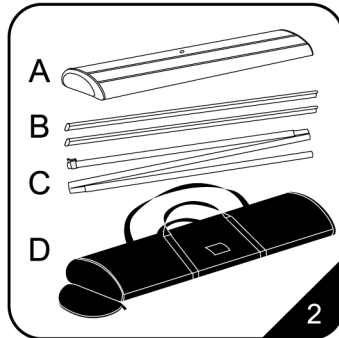
K-9A



1

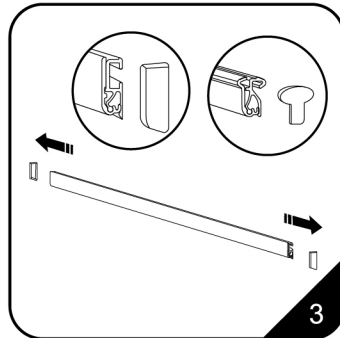
1. The overall width of stand is 85cm or 100cm, height is 215cm, the visible graphic height is 200cm.

Our size in the manual is just a reference. Please make the graphic according to your actual purchased size.



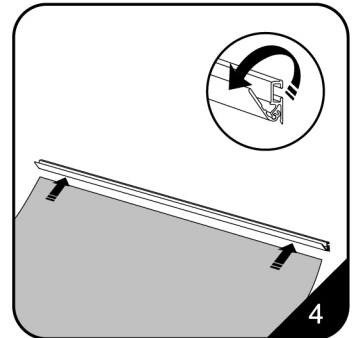
2

2. The case should contain:
Installation instruction
A. a base unit B. Top snap bar
C. 3-piece pole D. black bag



3

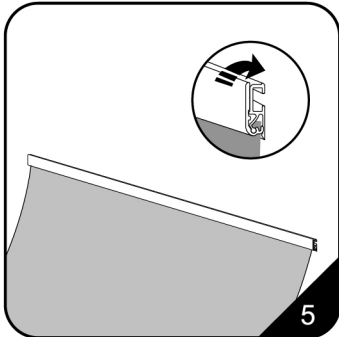
3. Remove the plastic end caps from the top snap bar, there are two kinds of snap bar, changed according to different items.



4

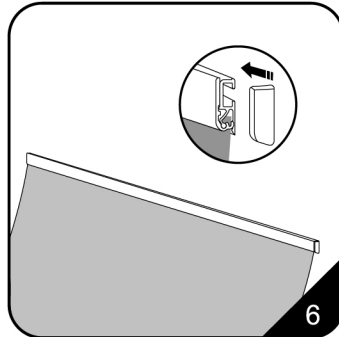
4. Open the top snap bar then insert the top edge of the graphic.

The graphic thickness should be 0.2mm- 0.4mm. Double layers for thin material.



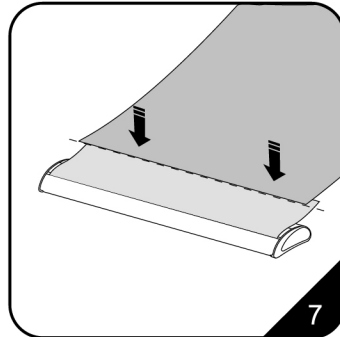
5

5. Close the snap bar lips to secure the graphic.



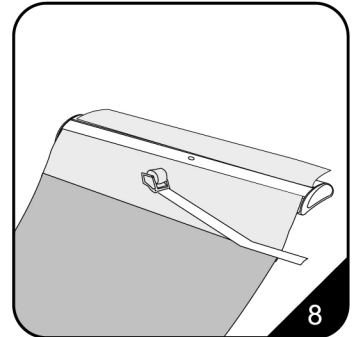
6

6. Finish the top by re-attaching the plastic end caps.



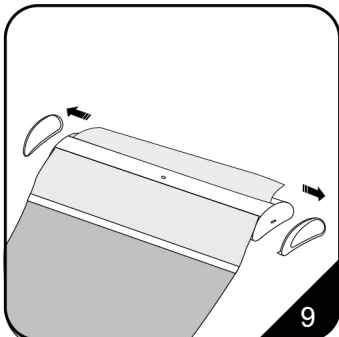
7

7. Peel off the adhesive paper along the edge of the base's leader roll and attach the bottom of the banner. Make sure the banner is straight.



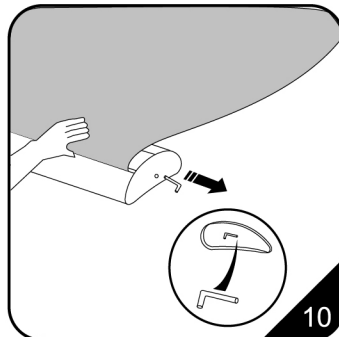
8

8. Secure the banner to the leader with a transparent adhesive tape at least 4cm wide both sides.



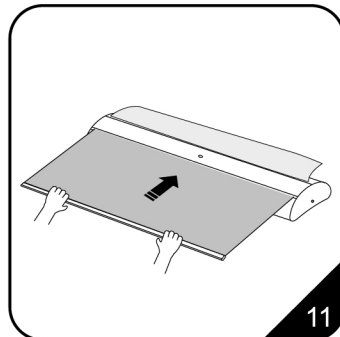
9

9. Peel off the cover.



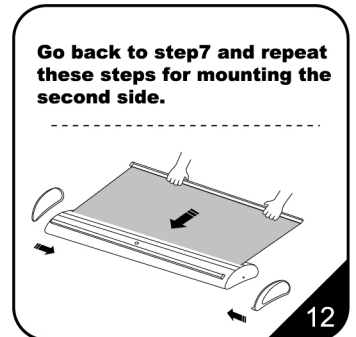
10

10. Activate the spring tension by removing the Allen Key. Pull the Allen Key while holding on to the attached graphic. Save the key in the side cover.



11

11. Carefully allow the graphic to recoil into the base unit.



12

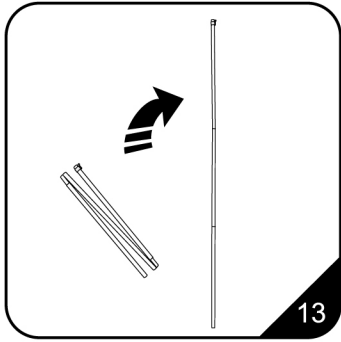
Go back to step7 and repeat these steps for mounting the second side.

12. Reattach the chrome ends.

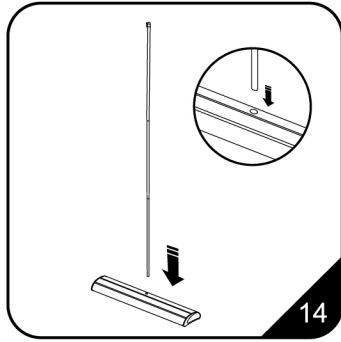
NEXT PAGE



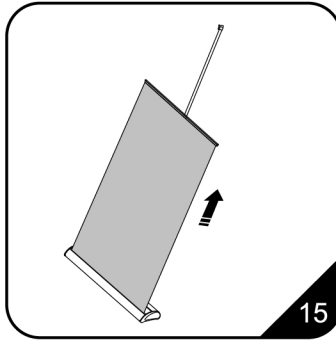
CAUTION: PLEASE READ THE INSTRUCTIONS BEFORE INSTALLING PRODUCTS



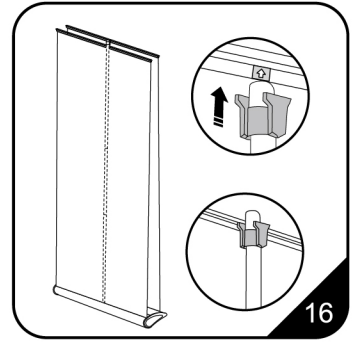
13. The hooked end corresponds to the top and the round end belongs to the bottom base.



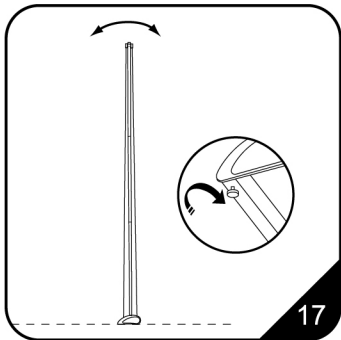
14. Insert the assembled pole into the base hole.



15. Pull the graphic completely.



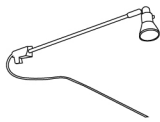
16. The plastic holder at the top of pole slips into the rear slot of the banner beam. A marker on the beam indicates the beam's centre where the pole should be inserted.



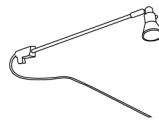
17. The unit can be leveled by adjusting the threaded plastic feet at the bottom of the base unit.

Distributor:

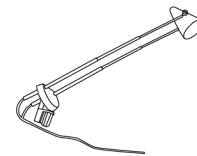
Optional accessories



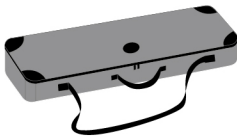
C-D1/D2
Voltage: 110V/220V
CE certified.
Fit on all models.
Color: Black / Silver



C-D1-LED/C-D2-LED
Voltage: 110V/220V
CE certified.
Fit on all models.
Color: Black / Silver



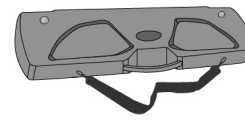
C-D11/D12
Fit on all models.
Color: Black / Silver



C-11-X5
This carry case is able to store all models.



C-11-X10
This carry case is able to store all models.



C-11-X6
Color: Grey / Black / Blue
Attention: fit for graphic size 85cm or less