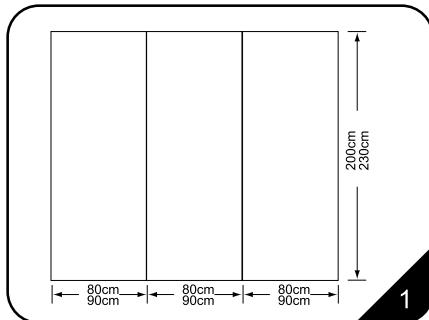


INSTALLATION STEPS 10.09 C-L5FA

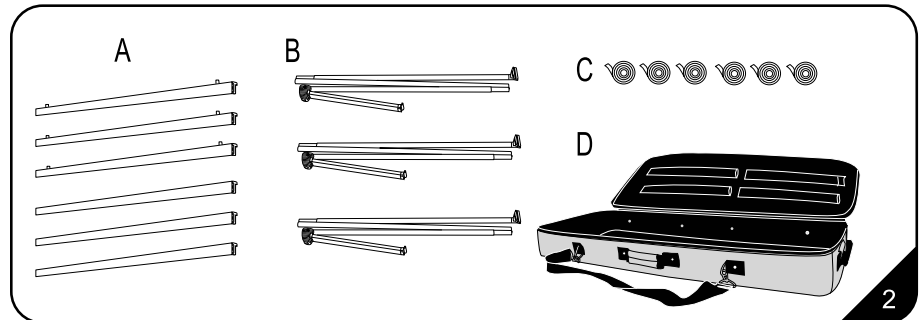
Modern appearance, stable quality, practicability & multiformity



1. The graphic size is 200cm (High) x 80cm (Wide) x 3 as per the Picture.

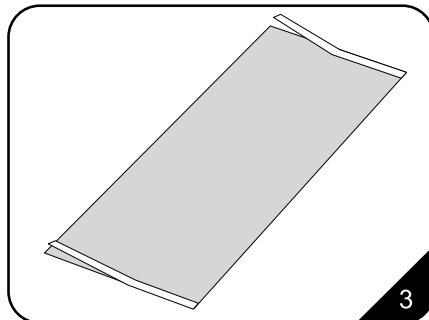


Our size in the INSTRUCTION MANUAL is just a reference. Please make the Graphic according to your actual purchase size.



2. A. The Rail
C. The Velcro

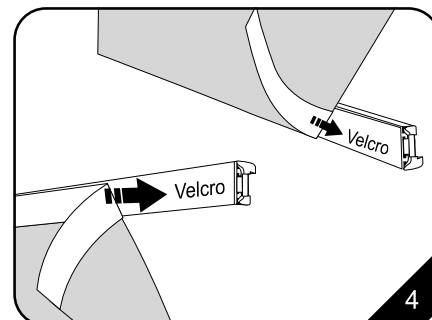
B. The 3-pieces pole & Base
D. The transport Bag



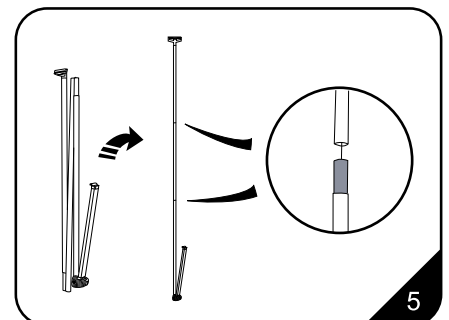
3. Glue the Velcro together with top and bottom of the Graphic.



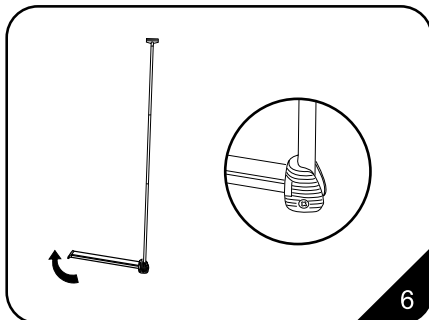
Sewing after stuck the fabric graphic is more recommendable



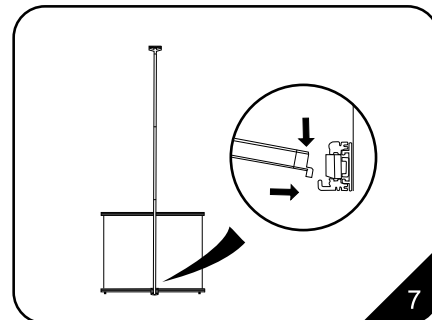
4. Make the graphic gluing with Velcro inosculate the velcro mount the finished velcro graphic to the rail.



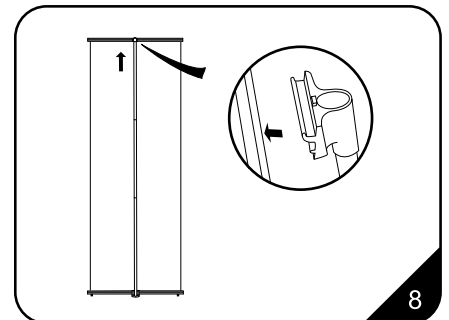
5. Unfold the 3-piece-poles.



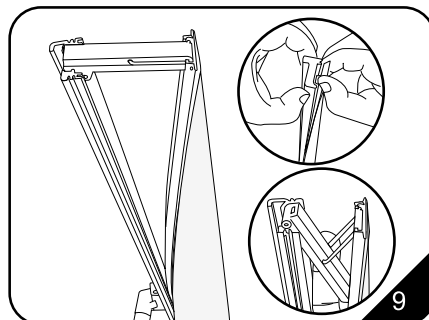
6. Unfold the base unit.



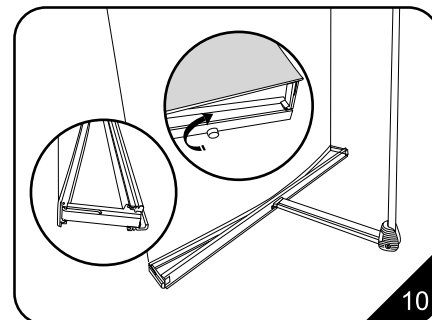
7. Take fix of the bottom pole with the special unit then spread the graphic to the top of the 3-pieces-pole.



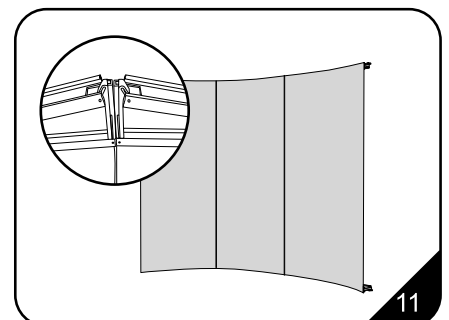
8. The hook at the top of the pole slips into the rear slot of the banner beam. A marker on the beam indicates the beam's centre where the pole should be inserted.



9. Open the top rail cover to MAX extent.



10. Open the bottom rail cover to MAX extent.



11. Complete installation.



**CAUTION:
PLEASE READ THE INSTRUCTIONS BEFORE INSTALLING PRODUCT**