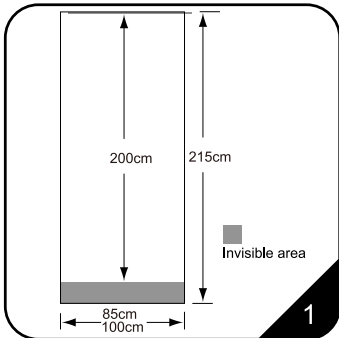
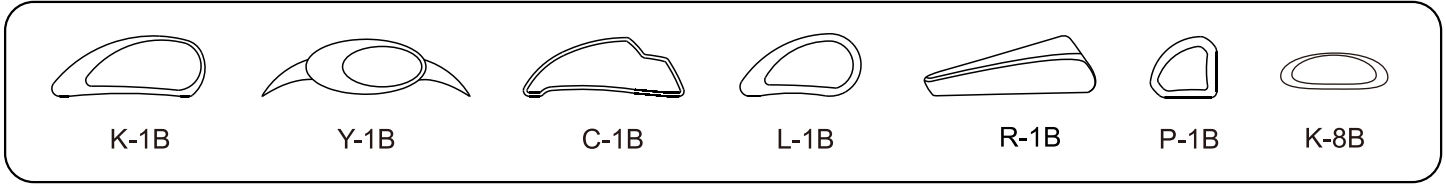


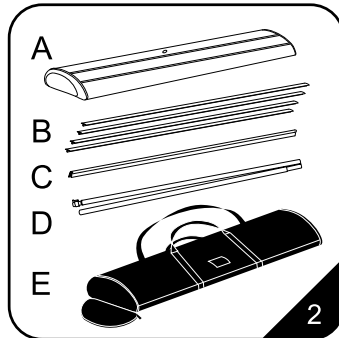
# INSTALLATION STEPS 10.09

**Insert type. Fast and easy to alter graphics. Adjustable spring. Carry cases and spotlights are available as accessories.**

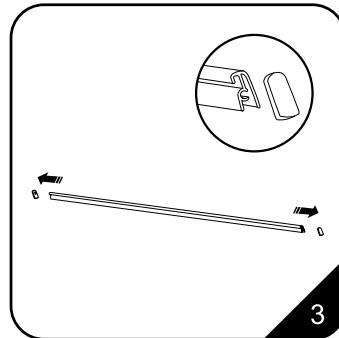


1. The overall width of stand is 85cm or 100cm, height is 215cm, the visible graphic height is 200cm.

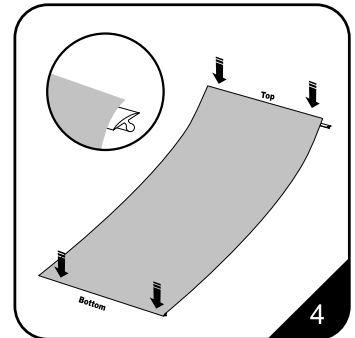
**⚠ Our size in the Manual is just a reference. Please make the graphic according to your actual purchased size.**



2. The case should contain:  
Installation instruction  
A. a base unit B. insertion slips  
C. Top rail D. telescopic pole  
E. black bag

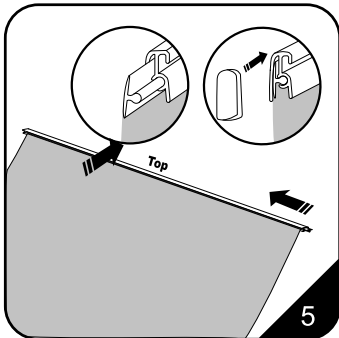


3. Remove the plastic end caps from the top rail.

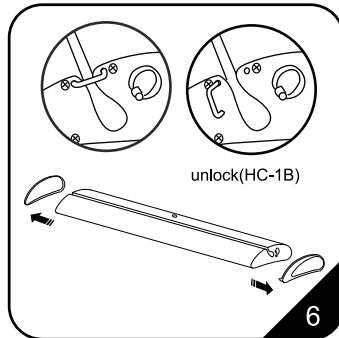


4. Peel off the covering on the adhesive and mount the strip to back side of graphic.

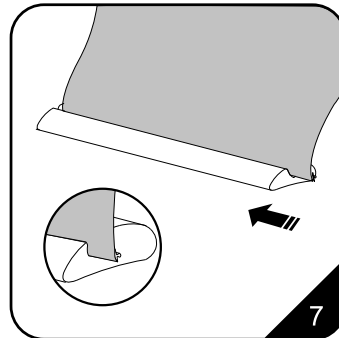
**⚠ Caution: Fabric graphic can't stick firmly as other materials. Thickness should not exceed 0.5mm.**



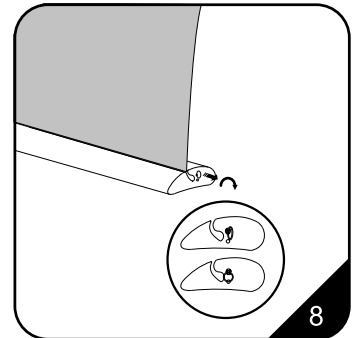
5. Slide the upper insertion slip of the graphic to the upper attachment beam, ensure that the graphic faces forward. Secure by re-attaching the plastic end caps to the upper attachment beam.



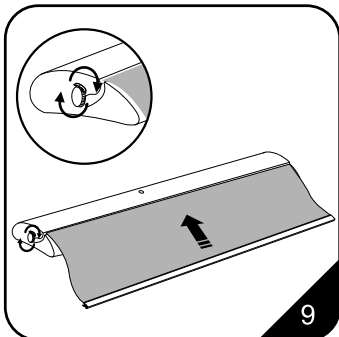
6. Peel off the adhesive cover along the edge of the base's leader roll.



7. Slide the bottom insertion slip into the bottom base. Ensure that the graphic is straight.

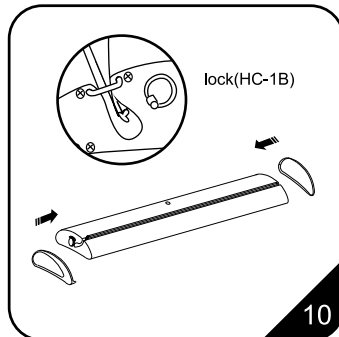


8. Pull out the circle and fix it, to allow the roller run freely.

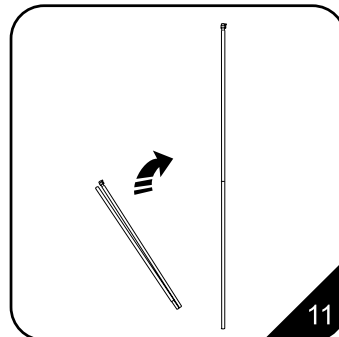


9. Rotate the turn-plate deasil put the graphic into the base slowly and carefully.

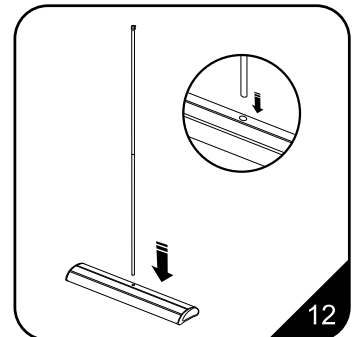
**⚠ If graphic released, this device can adjust the tension.**



10. Reattach the chrome ends to the base unit.



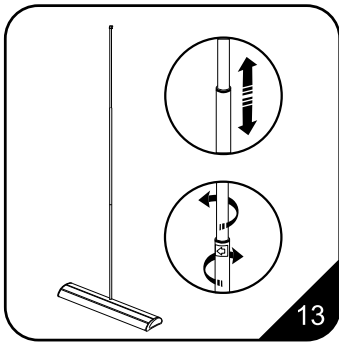
11. The hooked end corresponds to the top and the round end belongs to the bottom base.



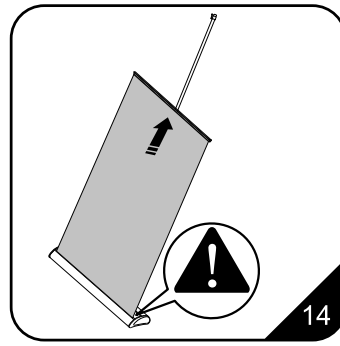
12. Insert the assembled pole into the base hole.

**NEXT PAGE**

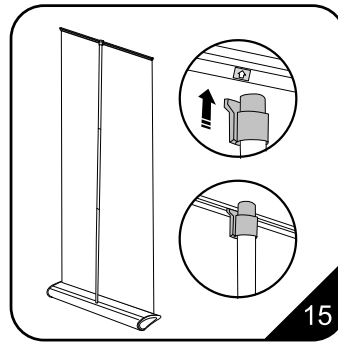
**⚠ CAUTION: PLEASE READ THE INSTRUCTIONS BEFORE INSTALLING PRODUCTS**



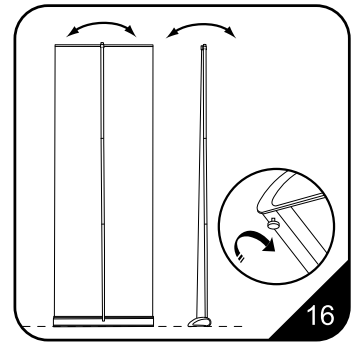
13. Draw out the upper of the telescopic pole to adjust the height to suitable level 160cm~220cm, then circumscribe to firm it.



14. Pull the graphic completely.

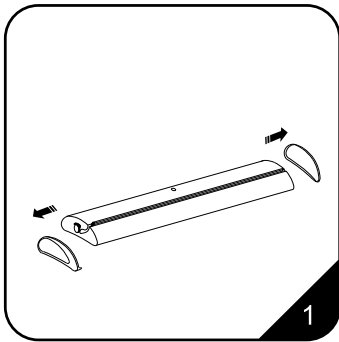


15. The plastic holder at the top of pole slips into the rear slot of the banner beam. A marker on the beam indicates the beam's centre where the pole should be inserted.

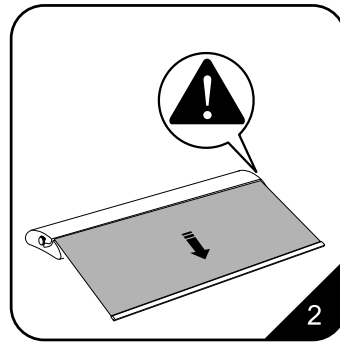


16. The unit can be leveled by adjusting the threaded plastic feet at the bottom of the base unit.

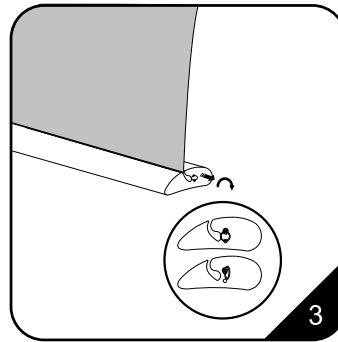
### The follow steps account for altering graphic.



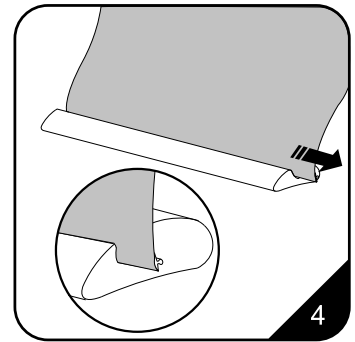
1. Open the side covers.



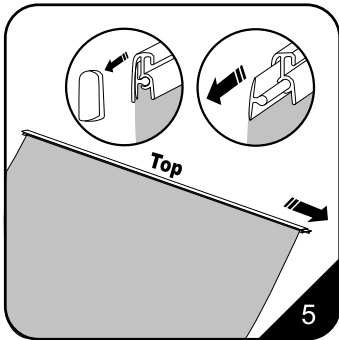
2. Pull out the graphic completely.



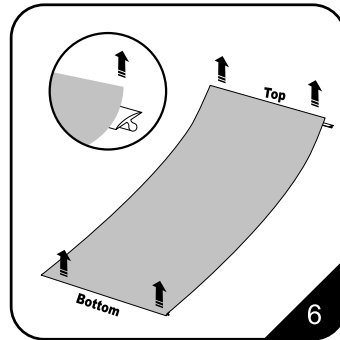
3. On the side of bottom base, pull out the circle and turn the ring right to a 90° angle and attach the circle to the magnet.



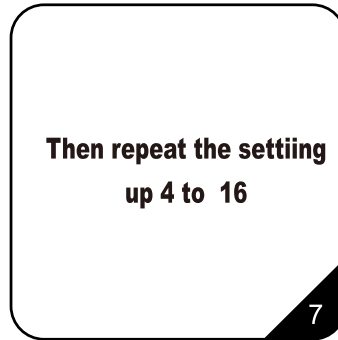
3. Draw the bottom insertion slip out the base.



5. Remove the plastic end caps from the beam, then draw the insertion out the upper banner attachment beam.

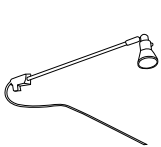


6. Take the graphic from double-adhesive tape. Two insertion slips provided.

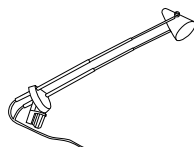


Then repeat the setting up 4 to 16

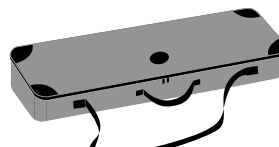
### Optional accessories



C-D1/D2/C-D1-LED/C-D2-LED  
Voltage: 110V/220V  
CE certified.  
Fit on all models.  
Color: Black / Silver



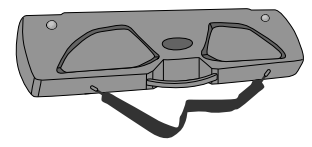
C-D11/D12  
Fit on all models.  
Color: Black / Silver



C-11-X5  
This carry case is able to store all models.



C-11-X10  
This carry case is able to store all models.



C-11-X6  
This carry case is able to store K-1, Y-1, C-1 and C-3C only.  
Color: Grey / Black / Blue  
Attention: fit for graphic size 85cm or less