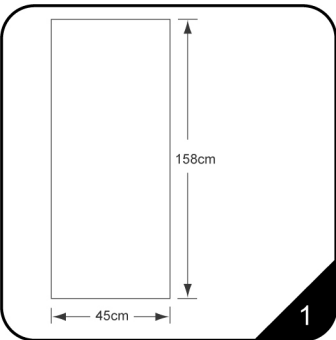
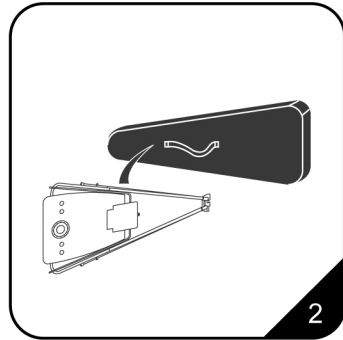


INSTALLATION STEPS C-6

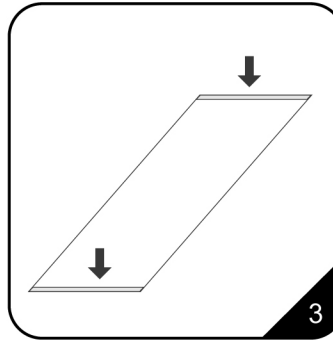
Modern appearance, stable quality, practicability & multiformity



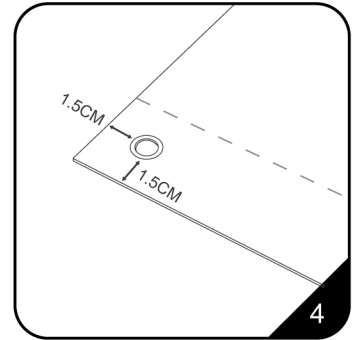
1. There are two kinds of graphic size, 45cm wide 158cm high and 60cm wide 153cm high.



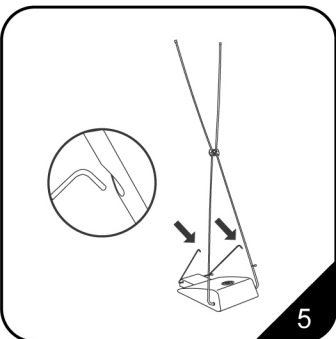
2. The case should contain a base unit.



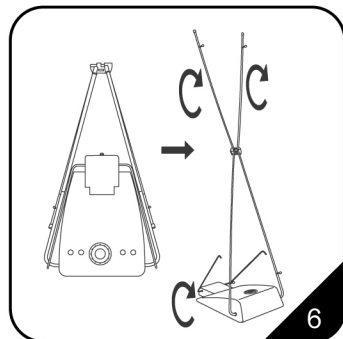
3. Attach a 4cm wide transparent plastic piece on the top and down of the graphic' back in order to strengthen it.



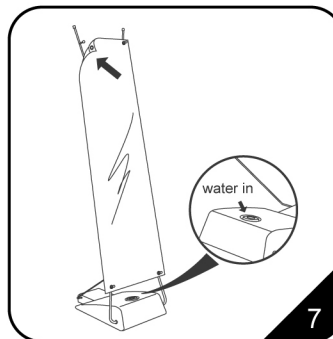
4. Punch in the 4 angles of the graphic, then fix the special rings in it, as the pic showing.



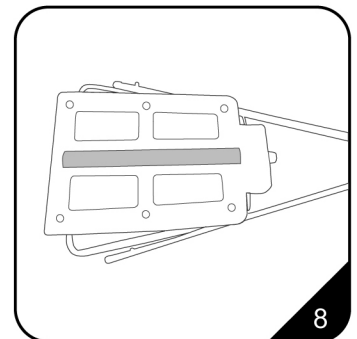
5. Fix the 2 small poles into the holes on the X poles, as the pic showing.



6. Unfold the base unit, as the pic showing.

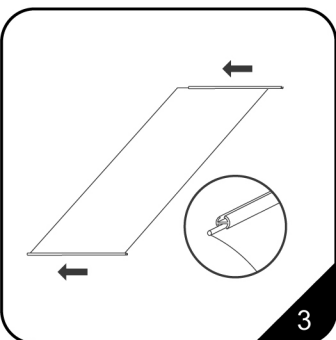


7. Attach the graphic on the framework, as the pic showing, then water in the base for keeping more firmly.

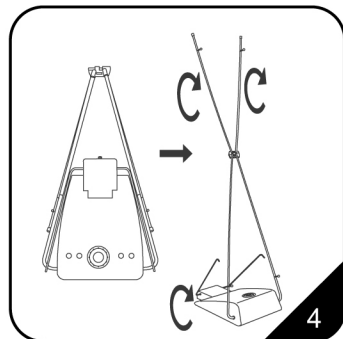


8. The graphic can be put into the tank of the base's bottom, as the pic showing.

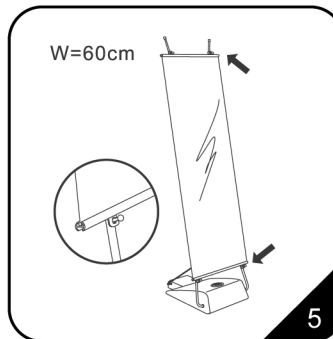
The follow steps account for set-up 60cm wide graphic.



5. Insert both edges of the graphic into the snap rail, as the pic showing.



6. Unfold the base unit, as the pic showing.



7. The graphic can be firmed by fixing the snap rail on the framework, as the pic. then completed.